



# HAWKINS



## DITCHER PARTS GUIDE

REVISED 05.23

# TABLE OF CONTENTS

---

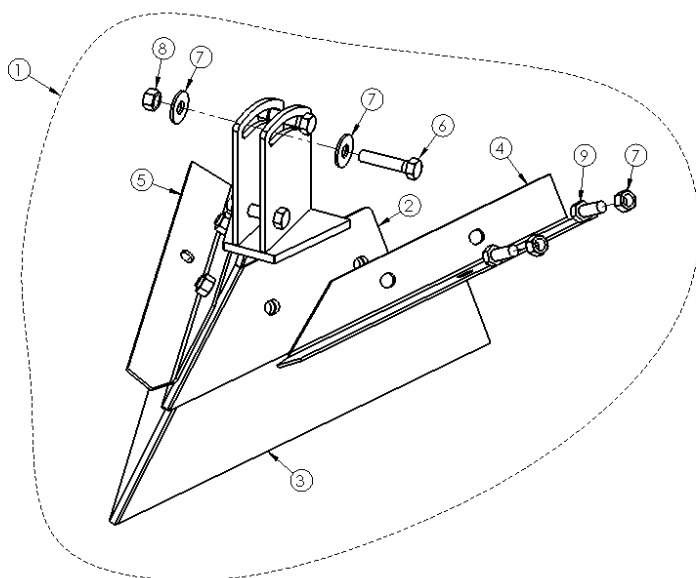


## GENERAL INFORMATION

DITCHER BOTTOM ASSEMBLY.....	1
DITCHER BOTTOM INDIVIDUAL PARTS.....	3
DITCHER BOTTOM IDENTIFICATION .....	5
SHANK.....	6
TOOLBAR CLAMP .....	7



## DITCHER BOTTOM ASSEMBLY



Item #	Part #	Description	Row Spacing
1	DIT41001	8" DITCHER for 1" X 3" SHANK	16"-24"
	DIT41002	10" DITCHER for 1" X 3" SHANK	20"-30"
	DIT41003	12" DITCHER for 1" X 3" SHANK	24"-30"
	DIT41004	14" DITCHER for 1" X 3" SHANK	30"-36"
	DIT41005	16" DITCHER for 1" X 3" SHANK	36"-40"
	DIT41006	20" DITCHER for 1" X 3" SHANK	LG FURROW

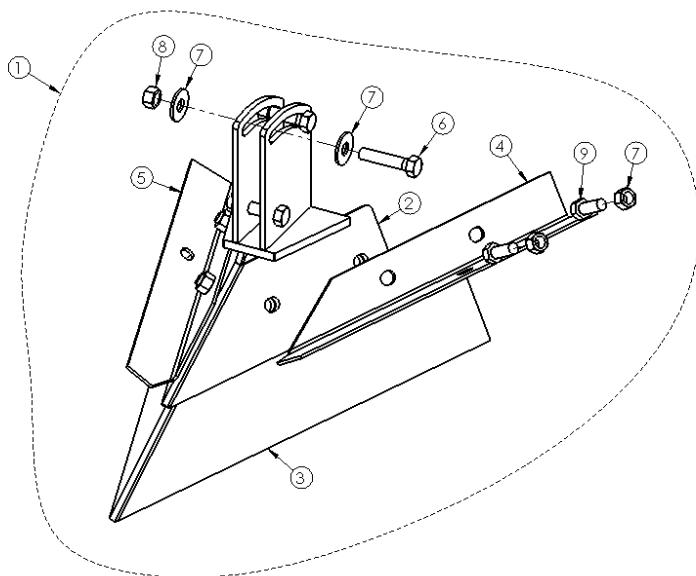
**Price includes: Adapter Clamp, Replaceable Blade, And One (1) Pair of Bedding Rails (Including mounting bolts)**

Item #	Part #	Description	WT. lbs
2	DIT32001	ADAPTER CLAMP FOR 8" AND 10"	15
	DIT32002	ADAPTER CLAMP FOR 12" AND 14"	14
	DIT32003	ADAPTER CLAMP FOR 16"	22
	DIT32004	ADAPTER CLAMP FOR 20"	30

Item #	Part #	Description	WT. lbs
3	-	SEE PAGE 3 FOR HARDFACED BLADE PARTS OPTIONS	-



## DITCHER BOTTOM ASSEMBLY



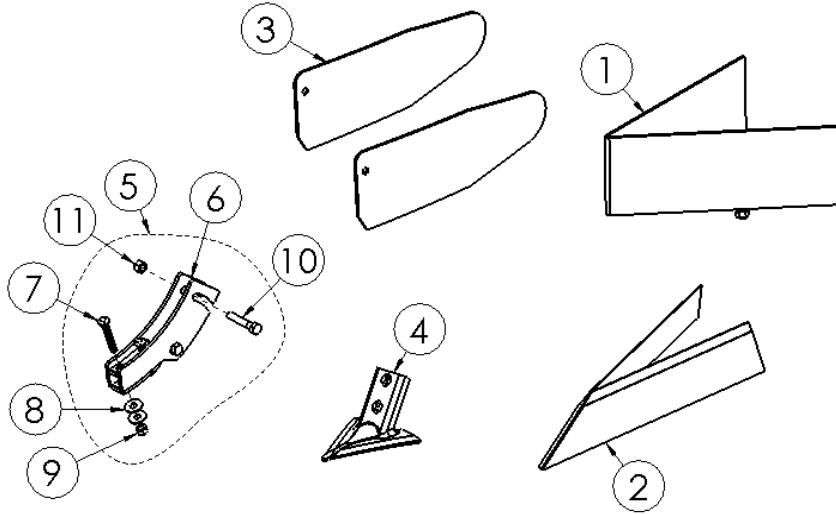
Item #	Part #	Description	WT. lbs
4	DIT33021	BEDDING RAILS FOR 8" AND 12" DITCHER - RH	3
	DIT33031	BEDDING RAILS FOR 10" AND 14" DITCHER - RH	4
	DIT33041	BEDDING RAILS FOR 16" DITCHER - RH	5
	DIT33051	BEDDING RAILS FOR 20" DITCHER - RH/LH	17

Item #	Part #	Description	WT. lbs
5	DIT33022	BEDDING RAILS FOR 8" AND 12" DITCHER - LH	3
	DIT33032	BEDDING RAILS FOR 10" AND 14" DITCHER - LH	4
	DIT33042	BEDDING RAILS FOR 16" DITCHER - LH	5

Item #	Part #	Description	WT. lbs
6	411185	1/2-13 X 2 1/4 BOLT GR5	
7	413008	1/2 FLAT WASHER	
8	412058	1/2-13 NUT GR5	
9	305139	1/2-13 x 1 1/4 BOLT GR5	

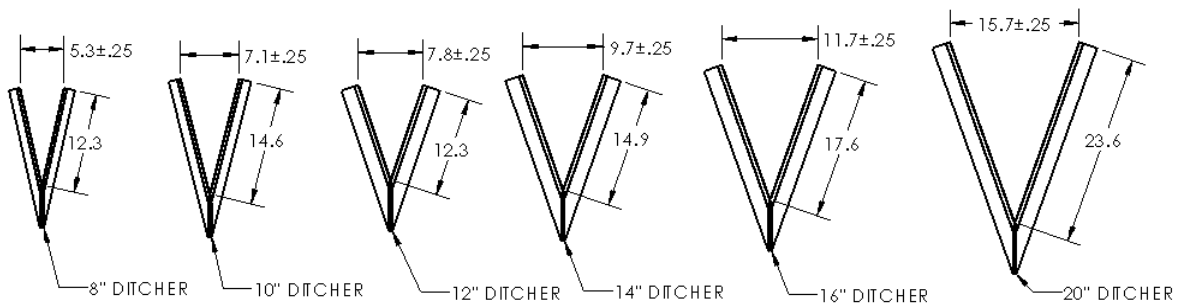


## DITCHER BOTTOM INDIVIDUAL PARTS



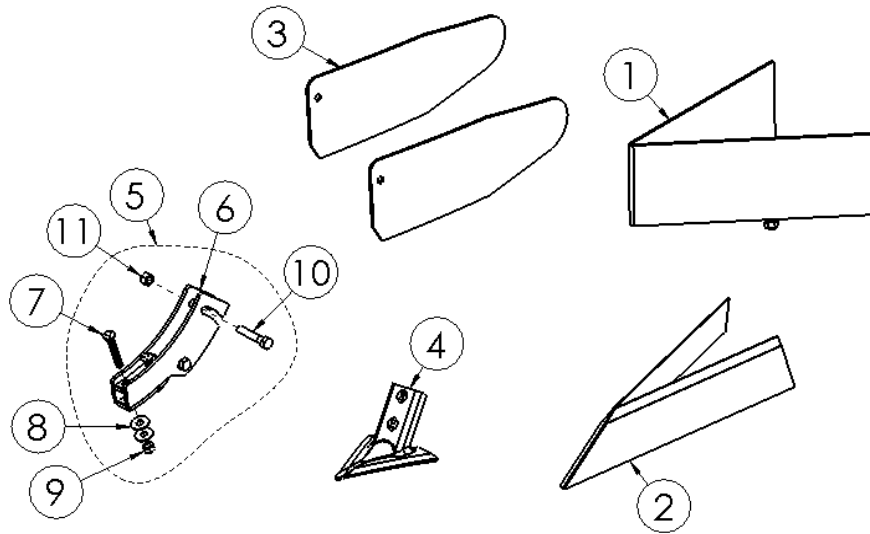
Item #	Part #	Description	WT. lbs
1	DIT30001	COVER SHIELD FOR 12" AND 14" DITCHER	10
	DIT30002	COVER SHIELD FOR 16" DITCHER	11

Item #	Part #	Description	WT. lbs
2	305600	8" HARDFACED DITCHER BLADE	8
	305601	10" HARDFACED DITCHER BLADE	10
	305602	12" HARDFACED DITCHER BLADE	10
	305603	14" HARDFACED DITCHER BLADE	10
	305604	16" HARDFACED DITCHER BLADE	11
	305605	20" HARDFACED DITCHER BLADE	15





## DITCHER BOTTOM INDIVIDUAL PARTS



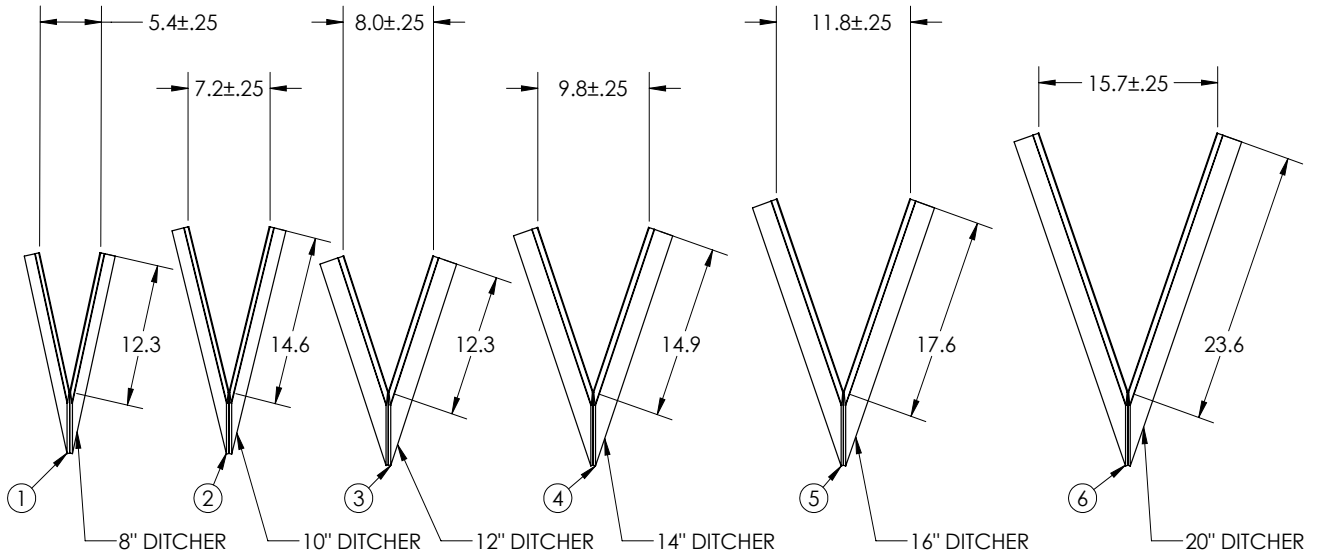
Item #	Part #	Description	WT. lbs
3	DIT34000	LAY-BY-WINGS (1-PAIR)	9
	DIT34010	LAY-BY-WING - RH	4.5
	DIT34011	LAY-BY-WING - LH	4.5

Item #	Part #	Description	WT. lbs
4	DIT21406	6" SWEEP FOR 36" AND NARROWER	2
	DIT21408	8" SWEEP FOR 36" AND WIDER	2.3

Item #	Part #	Description	WT. lbs
5	SHK33001	FOOT PIECE ASSEMBLY	5
6	SHK33011	FOOT PIECE	4
7	411836	7/16-14 X 3 GR5 BOLT	-
8	305074	7/16 FLAT WASHER USS	-
9	410007	7/16-14 NUT CENTER LOCK	-
10	411549	1/2-13 X 2 1/2 GR5	-
11	410008	1/2-13 NUT CENTER LOCK	-



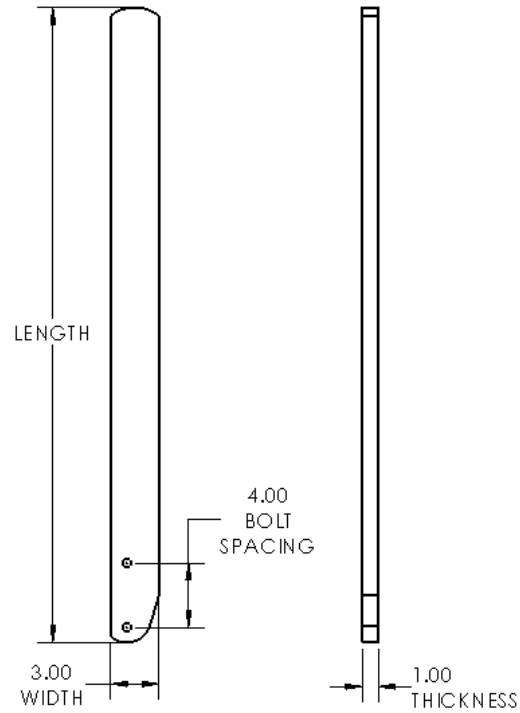
## DITCHER BOTTOM IDENTIFICATION



	Part #	Description
1	305600	8" DITCHER
2	305601	10" DITCHER
3	305602	12" DITCHER
4	305603	14" DITCHER
5	305604	16" DITCHER
6	305605	20" DITCHER



## SHANK

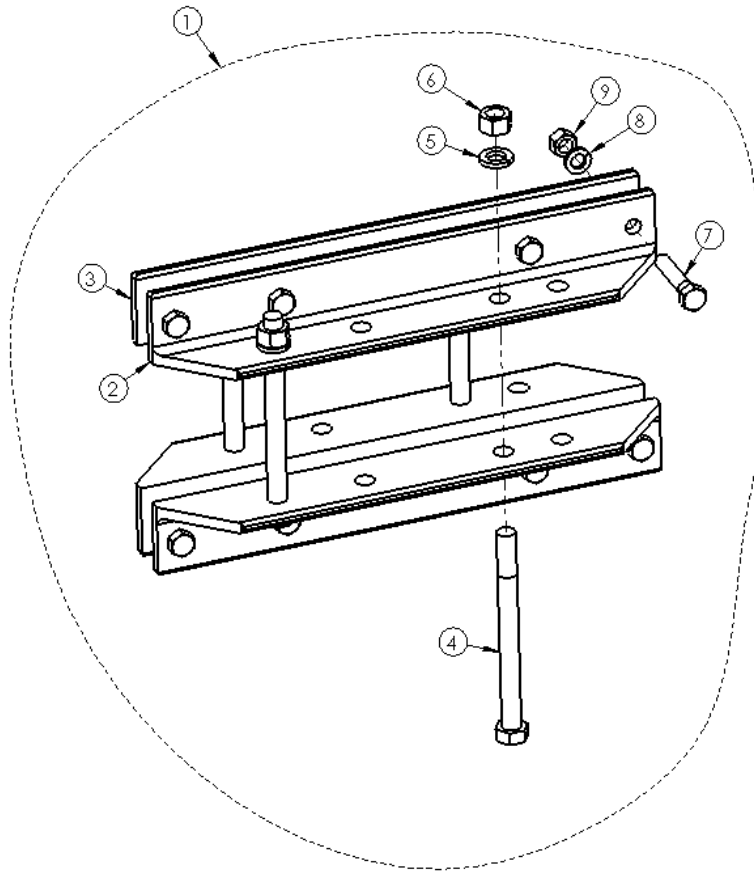


Part #	Description	WT. lbs
SHK30004	1" X 3" X 24" FLAT SHANK	20
SHK30005	1" X 3" X 30" FLAT SHANK	24
SHK30008	1" X 3" X 40" FLAT SHANK - STANDARD	33





## TOOLBAR CLAMP



	Part #	Description	WT. lbs
1	SCL31006	DOUBLE CLAMP FOR 7" X 7" TOOLBAR	48
2	SCL31100	RIGHT HAND CLAMP PLATE	8
3	SCL31101	LEFT HAND CLAMP PLATE	8
4	411573	5/8-11 X 7 GR5	-
5	413510	5/8 LOCK WASHER	-
6	412010	5/8-11 NUT GR2	-
7	411549	1/2-13 X 2 1/2 GR5	-
8	413508	1/2 LOCK WASHER	-
9	410008	1/2-13 NUT CENTER LOCK	-